

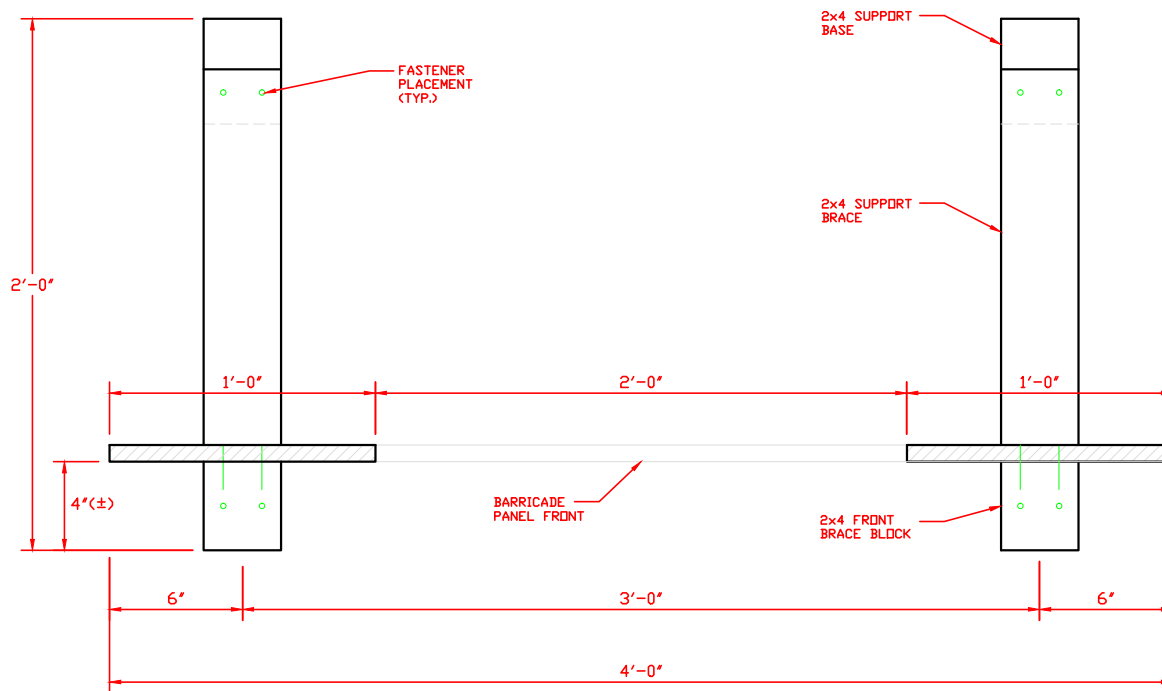
1 CUTTING LAYOUT  
 S-1 SCALE : 3/4" = 1'-0"

**NOTE:**  
 1 (ONE) SHEET OF PLYWOOD MAKES 2  
 (TWO) BARRICADE PANELS.

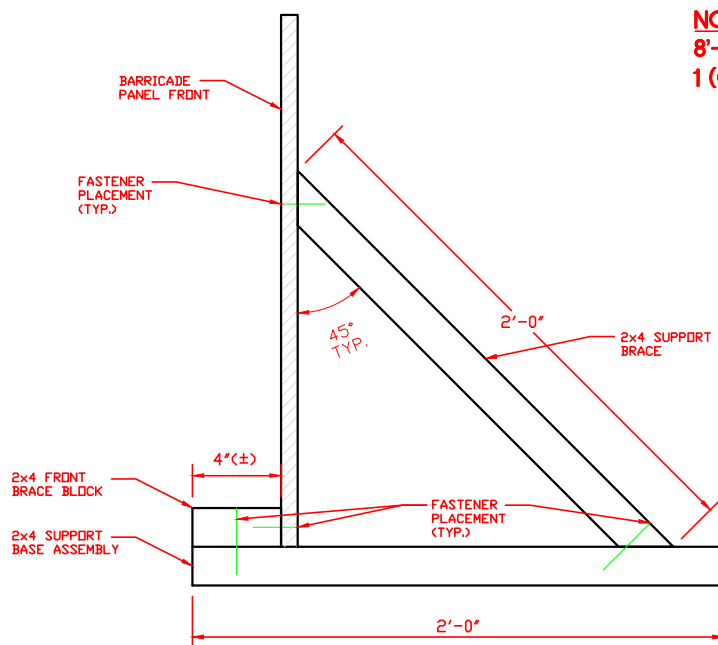
DRAWN:	J.R.C.
SCALE:	AS NOTED
DATE:	10-01-10

**ASYMMETRICAL BARRICADE**





**SUPPORT ASSEMBLY  
PLAN VIEW**  
SCALE : 3/8" = 1'-0"



**NOTE:**  
8'-8" MINIMUM OF 2x4 MAKES  
1 (ONE) BARRICADE PANELS

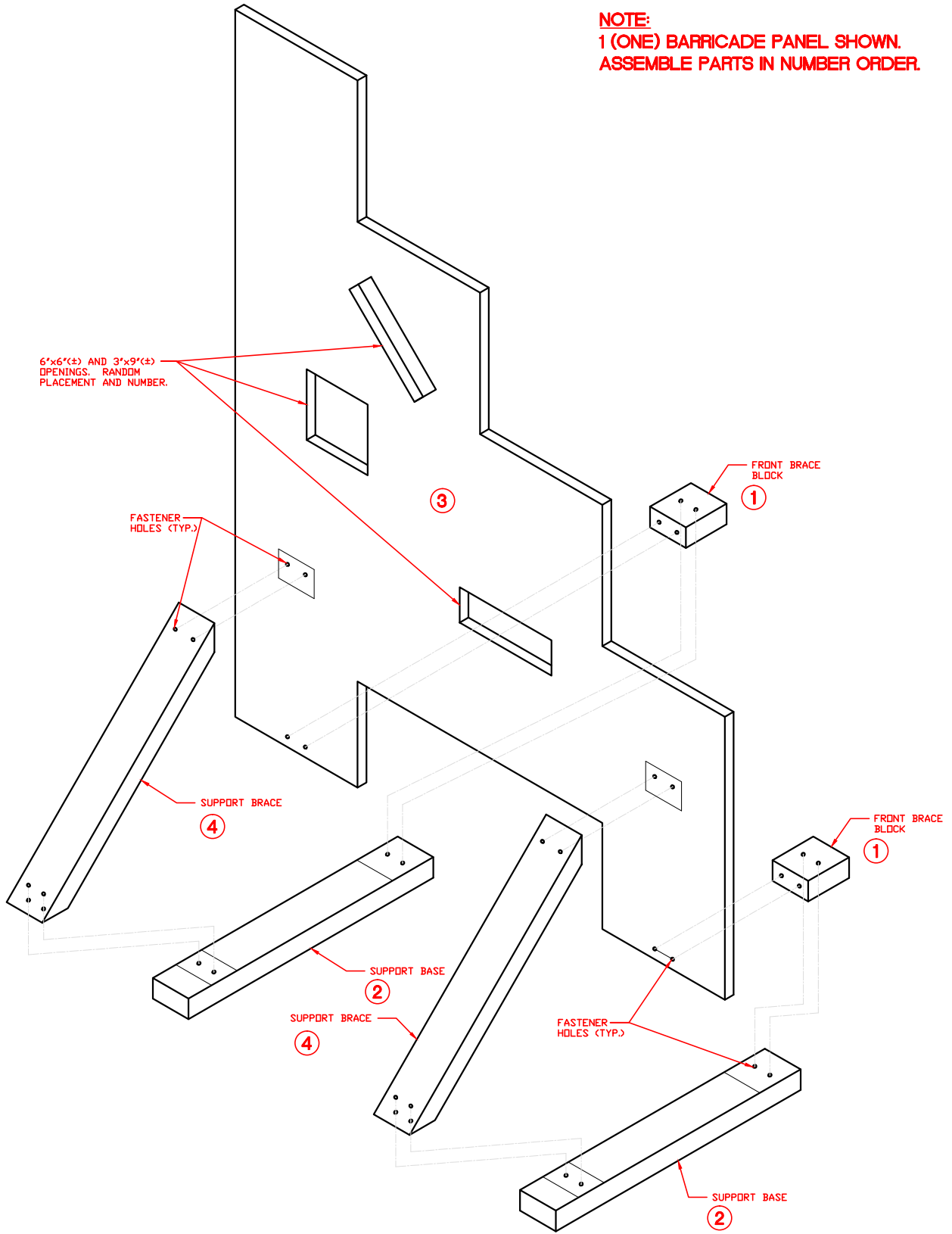
**SUPPORT ASSEMBLY  
SIDE VIEW**  
SCALE : 3/8" = 1'-0"

DRAWN: J.R.C.  
SCALE: AS NOTED  
DATE: 10-01-10

**ASYMMETRICAL BARRICADE**



**NOTE:**  
**1 (ONE) BARRICADE PANEL SHOWN.**  
**ASSEMBLE PARTS IN NUMBER ORDER.**



**4 EXPLODED VIEW**  
 S-3 SCALE : 3/4" = 1'-0"

DRAWN:	J.R.C.
SCALE:	AS NOTED
DATE:	10-01-10

**ASYMMETRICAL BARRICADE**

